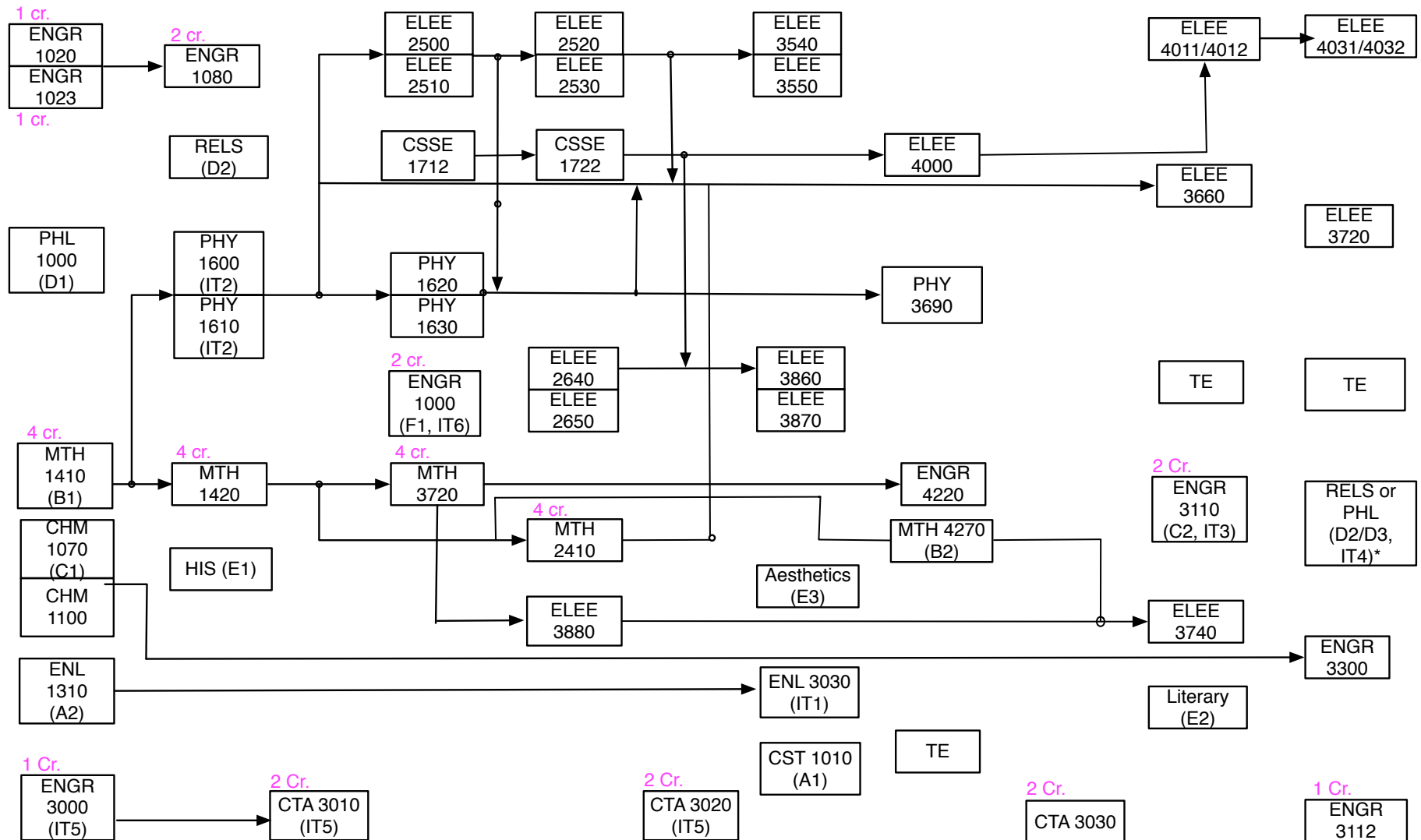


University of Detroit Mercy Bachelor of Electrical Engineering Course Requirements Flowchart

| YEAR | FIRST | | | SECOND | | | THIRD | | | FOURTH | |
|---------|---------|---------|-------|--------|--------|-------|----------|----------|-------|----------|----------|
| TERM | 1 | 2 | 3 | 1 | 2 | 3 | 1 | 2 | 3 | 1 | 2 |
| CLASS | FRESH 1 | FRESH 2 | CO-OP | SOPH 1 | SOPH 2 | CO-OP | JUNIOR 1 | JUNIOR 2 | CO-OP | SENIOR 1 | SENIOR 2 |
| CREDITS | 16+1 | 16 | 2 | 17 | 18 | 2 | 17 | 15 | 2 | 17 | 15+1 |



TE = Technical Elective (courses from ECE Dept. 4000 level course with advisor's approval and other classes by chair approval)

Note: some rerequisites/Co-requisites are not indicated on flowchart. Consult catalog for additional information.

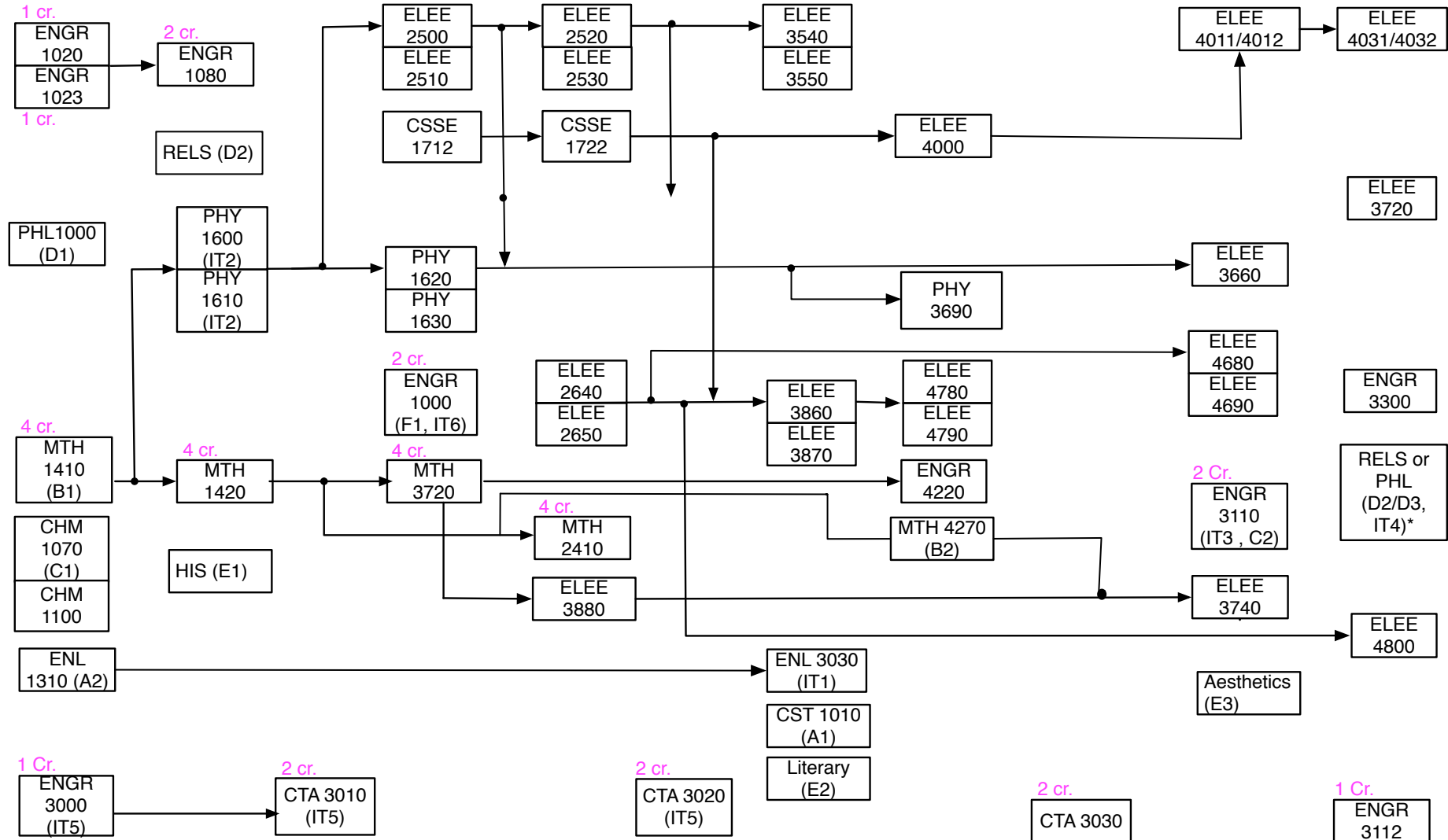
*Choose a course that satisfies D2 or D3 and IT4, for example: RELS 4140, RELS 4141, RELS 2180, or PHL 3081

Last Revision 06/05/2017

TOTAL PROGRAM: 131 CREDITS + 8 CREDITS CO-OP = 139 CREDITS TOTAL

University of Detroit Mercy Bachelor of Electrical Engineering-Computer Engineering Course Requirements Flowchart

| YEAR | FIRST | | | SECOND | | | THIRD | | | FOURTH | |
|---------|---------|---------|-------|--------|--------|-------|----------|----------|-------|----------|----------|
| TERM | 1 | 2 | 3 | 1 | 2 | 3 | 1 | 2 | 3 | 1 | 2 |
| CLASS | FRESH 1 | FRESH 2 | CO-OP | SOPH 1 | SOPH 2 | CO-OP | JUNIOR 1 | JUNIOR 2 | CO-OP | SENIOR 1 | SENIOR 2 |
| CREDITS | 16+1 | 16 | 2 | 17 | 18 | 2 | 17 | 16 | 2 | 18 | 15+1 |



Note: some rerequisites/Co-requisites are not indicated on flowchart. Consult catalog for additional information.

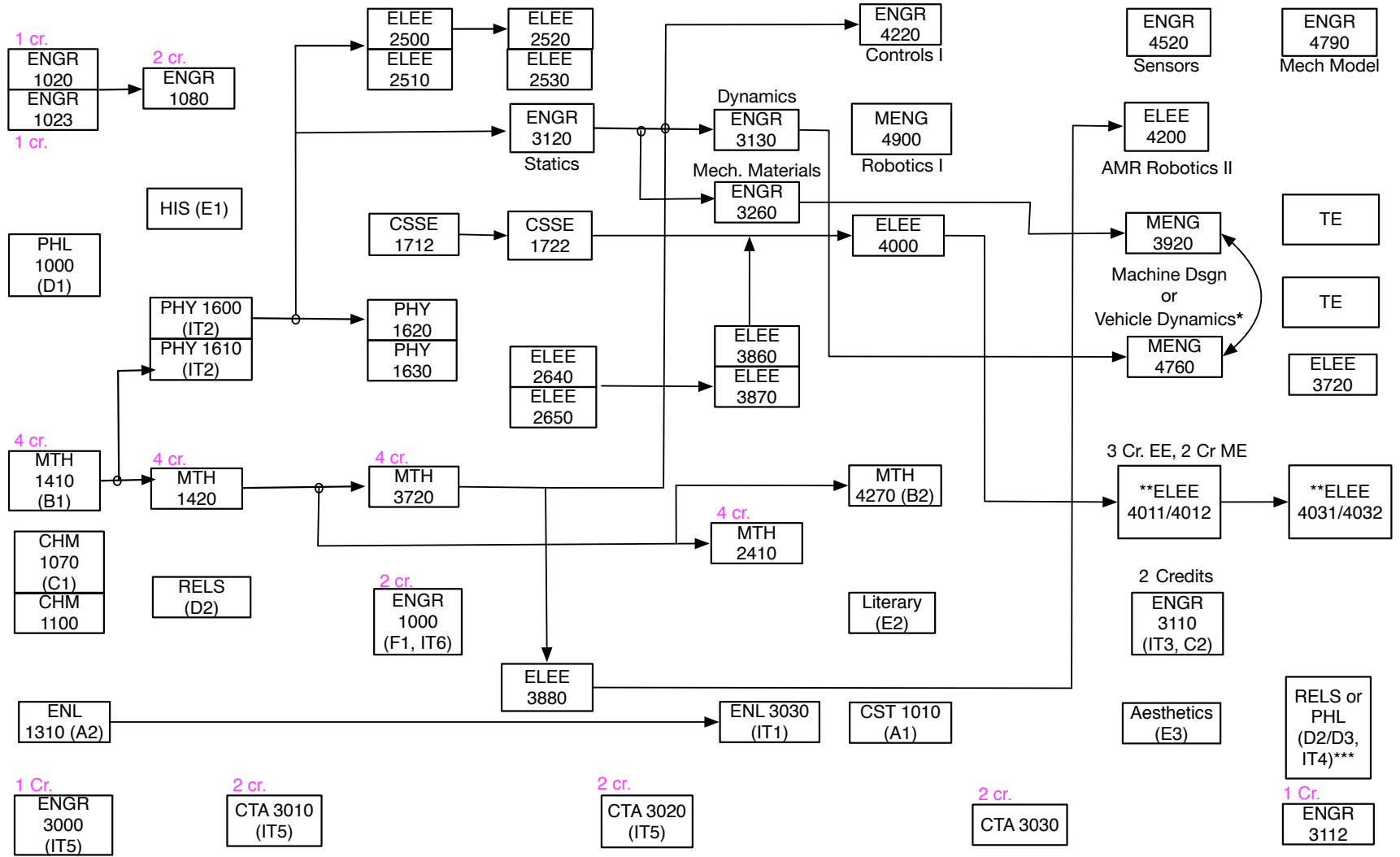
*Choose a course that satisfies D2 or D3 and IT4, for example: RELS 4140, RELS 4141, RELS 2180, or PHL 3081

Last Revision 06/05/2017

TOTAL PROGRAM: 133 CREDITS + 8 CREDITS CO-OP = 141 CREDITS TOTAL

University of Detroit Mercy
Bachelor of Robotics & Mechatronics Systems Engineering with a Concentration in Electrical Engineering
Course Requirements Flowchart

| YEAR | FIRST | | | SECOND | | | THIRD | | | FOURTH | |
|---------|---------|---------|-------|--------|--------|-------|----------|----------|-------|----------|----------|
| TERM | 1 | 2 | 3 | 1 | 2 | 3 | 1 | 2 | 3 | 1 | 2 |
| CLASS | FRESH 1 | FRESH 2 | CO-OP | SOPH 1 | SOPH 2 | CO-OP | JUNIOR 1 | JUNIOR 2 | CO-OP | SENIOR 1 | SENIOR 2 |
| CREDITS | 16+1 | 16 | 2 | 17 | 17 | 2 | 17 | 18 | 2 | 16 or 17 | 18+1 |



CC/OBG = Core Curriculum Objective

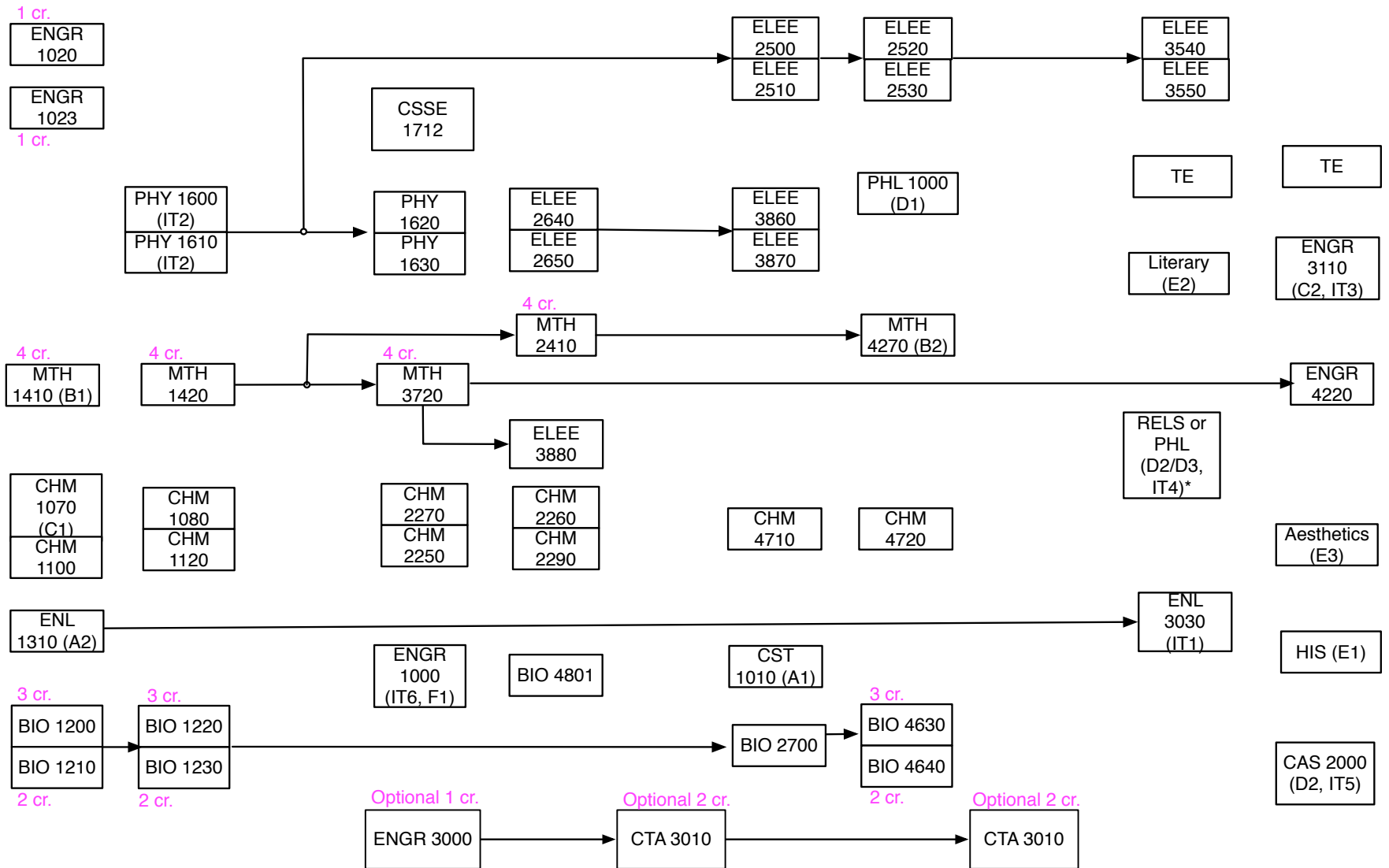
***Advisor Discussion and Approval**

TE = Technical Elective (minimum of two TE courses of 4000 level with advisor's approval)
 Note: some rerequisites/Co-requisites are not indicated on flowchart. Consult catalog for additional information.
 **MENG 4930/4950 may be substituted if approved by advisor and supervised by ECE faculty for ELEE 4011/12 and ELEE 4031/4032
 ***Choose a course that satisfies D2 or D3 and IT4, for example: RELS 4140, RELS 4141, RELS 2180, or PHL 3081

Last Revision 06/05/2017 **TOTAL PROGRAM: 135/136 CREDITS + 8 CREDITS CO-OP = 143/144 CREDITS TOTAL**

University of Detroit Mercy
Bachelor of Engineering- Pre-Med/Pre-Dent Bioelectrical Sciences Track-ECE Concentration
Course Requirements Flowchart

| YEAR | FIRST | | | SECOND | | | THIRD | | | FOURTH | |
|---------|---------|---------|----------|--------|--------|----------|----------|----------|----------|----------|----------|
| TERM | 1 | 2 | Optional | 1 | 2 | Optional | 1 | 2 | Optional | 1 | 2 |
| CLASS | FRESH 1 | FRESH 2 | | SOPH 1 | SOPH 2 | CO-OP | JUNIOR 1 | JUNIOR 2 | CO-OP | SENIOR 1 | SENIOR 2 |
| CREDITS | 18 | 17 | | 17+1 | 18 | 2 | 17 | 18 | 2 | 16 | 18 |



TE = Technical Elective (courses from ECE Dept. 4000 level course with advisor's approval)

Note: some prerequisites/Co-requisites are not indicated on flowchart. Consult catalog for additional information.

*Choose a course that satisfies D2 or D3 and IT4, for example: RELS 4140, RELS 4141, RELS 2180, or PHL 3081

Last Revision 06/05/2017

TOTAL PROGRAM: 139 CREDITS + 3/5 CREDITS CO-OP = 142/144 CREDITS TOTAL