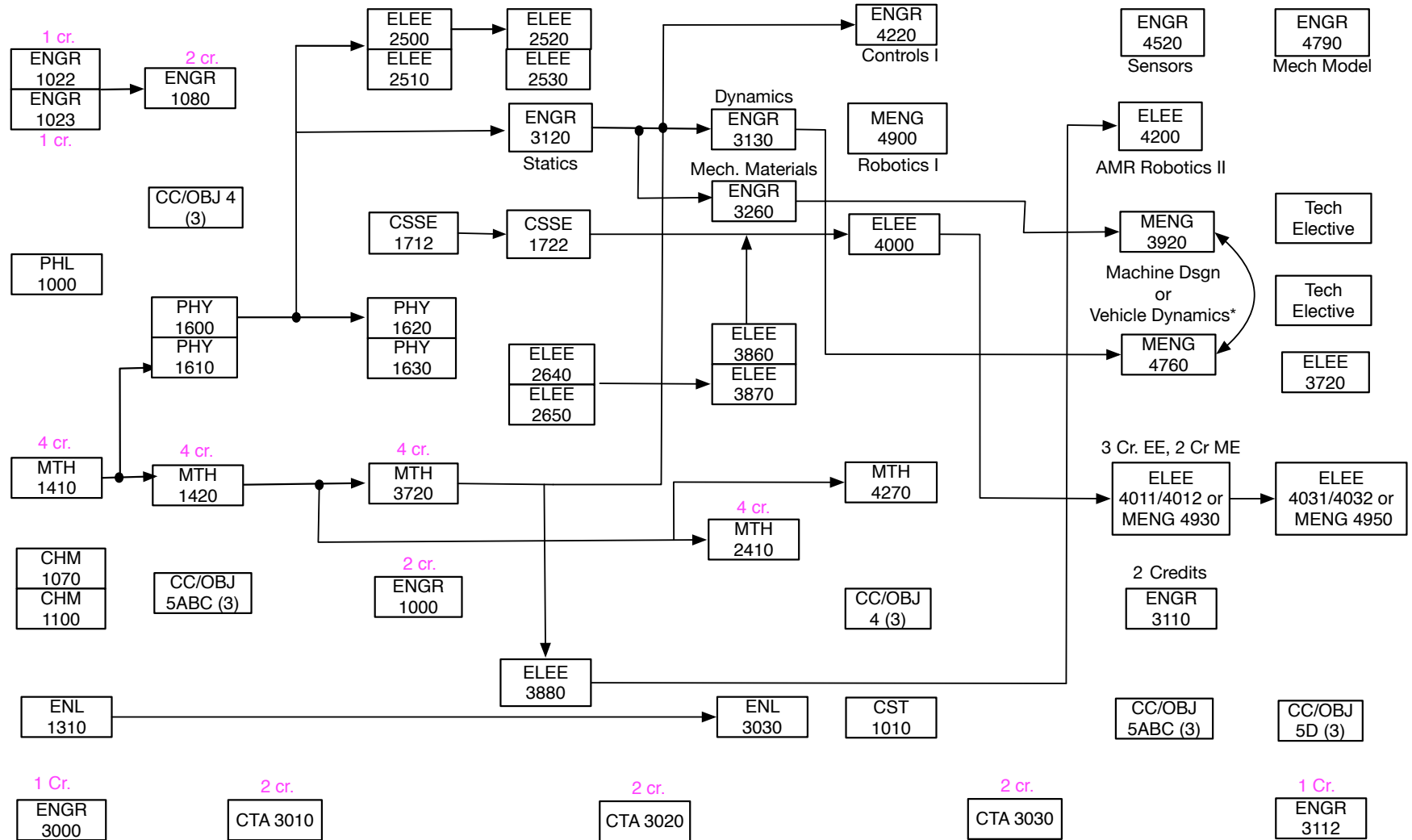


University of Detroit Mercy
Bachelor of Robotics & Mechatronic Systems Engineering with a Concentration in Electrical Engineering
Course Requirements Flowchart

YEAR	FIRST			SECOND			THIRD			FOURTH	
TERM	1	2	3	1	2	3	1	2	3	1	2
CLASS	FRESH 1	FRESH 2	CO-OP	SOPH 1	SOPH 2	CO-OP	JUNIOR 1	JUNIOR 2	CO-OP	SENIOR 1	SENIOR 2
CREDITS	16+1	16	2	17	17	2	17	18	2	16 or 17	18+1



*Advisor Discussion and Approval

CC/OBJ = Core Curriculum Objective

TE = Technical Elective (minimum of two TE courses of 4000 level with advisor's approval)

Note: some prerequisites/Co-requisites are not indicated on flowchart. Consult catalog for additional information.

Last Revision 11/20/2015

TOTAL PROGRAM: 136/135 CREDITS + 8 CREDITS CO-OP = 144/143 CREDITS TOTAL