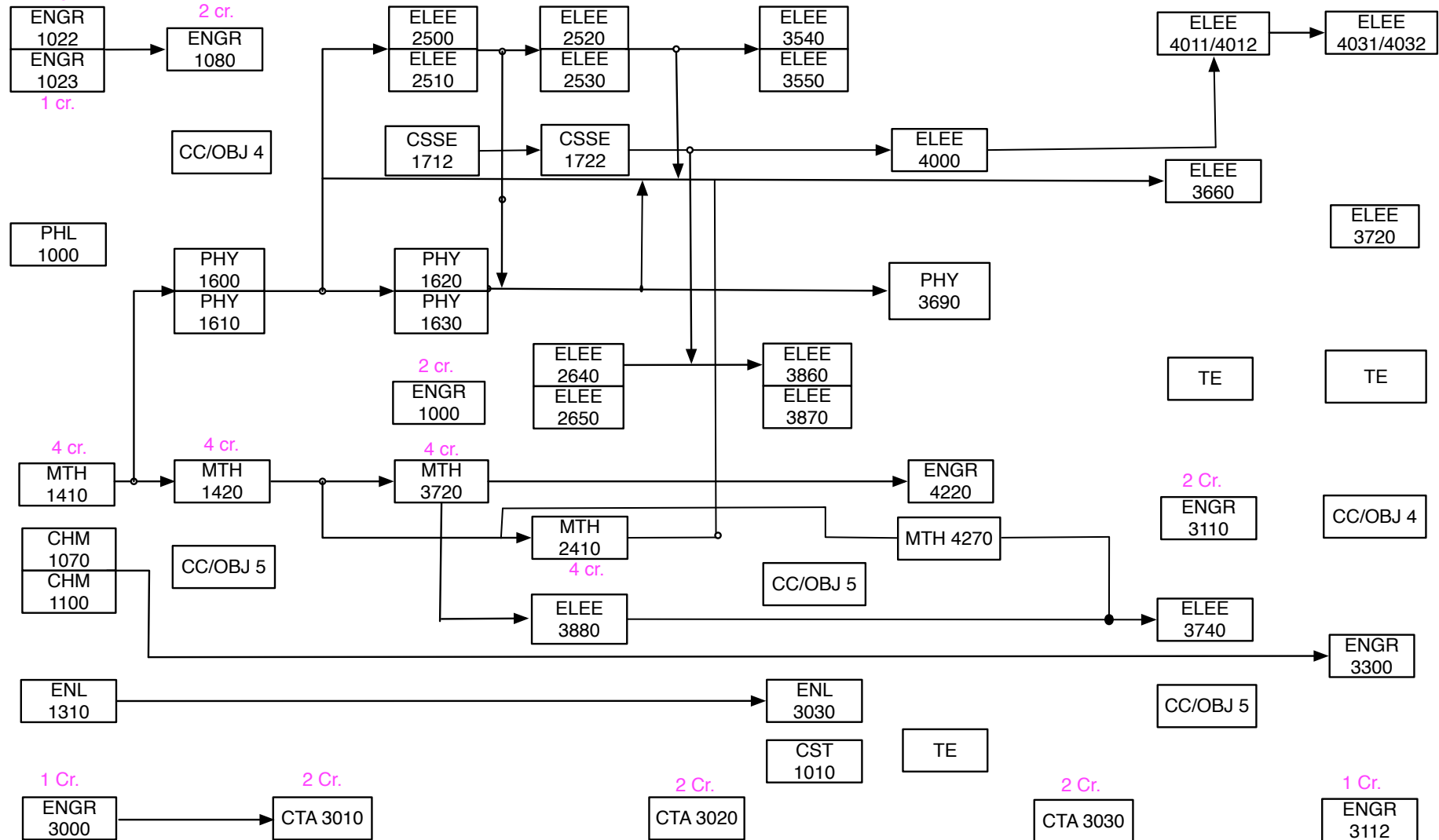


University of Detroit Mercy Bachelor of Electrical Engineering Course Requirements Flowchart

YEAR	FIRST			SECOND			THIRD			FOURTH	
TERM	1	2	3	1	2	3	1	2	3	1	2
CLASS	FRESH 1	FRESH 2	CO-OP	SOPH 1	SOPH 2	CO-OP	JUNIOR 1	JUNIOR 2	CO-OP	SENIOR 1	SENIOR 2
CREDITS	16+1 <small>1 cr.</small>	16 <small>2 cr.</small>	2	17	18	2	17	15	2	17	15+1



CC/OBJ = Core Curriculum Objective

TE = Technical Elective (courses from ECE Dept. 4000 level course with advisor's approval)

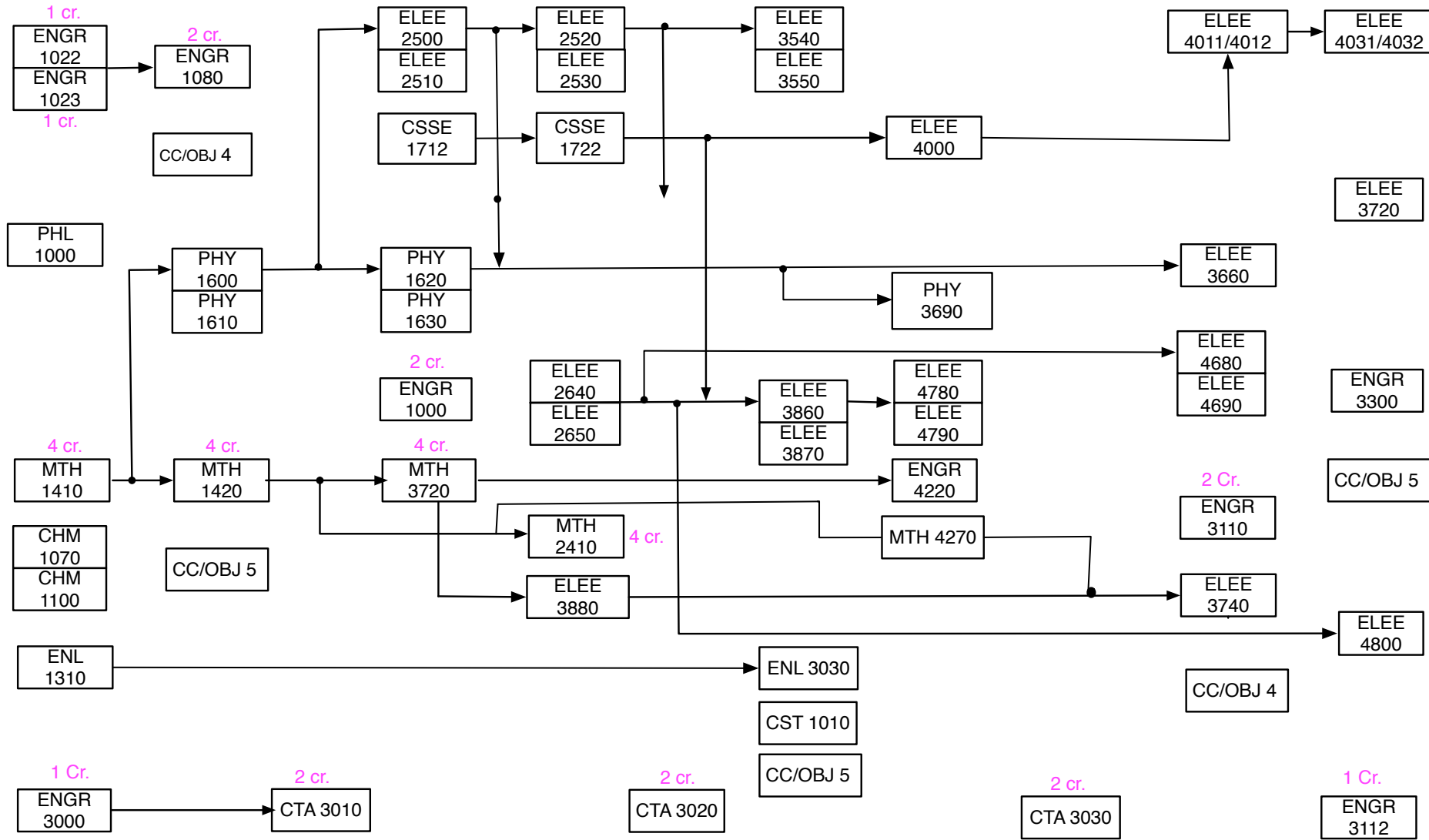
Note: some rerequisites/Co-requisites are not indicated on flowchart. Consult catalog for additional information.

University of Detroit Mercy

Bachelor of Electrical Engineering-Computer Engineering

Course Requirements Flowchart

YEAR	FIRST			SECOND			THIRD			FOURTH	
TERM	1	2	3	1	2	3	1	2	3	1	2
CLASS	FRESH 1	FRESH 2	CO-OP	SOPH 1	SOPH 2	CO-OP	JUNIOR 1	JUNIOR 2	CO-OP	SENIOR 1	SENIOR 2
CREDITS	16+1	16	2	17	18	2	17	16	2	18	15+1



CC/OBJ = Core Curriculum Objective

Note: some rerequisites/Co-requisites are not indicated on flowchart. Consult catalog for additional information.

Last Revision 11/06/2015

TOTAL PROGRAM: 133 CREDITS + 8 CREDITS CO-OP = 141 CREDITS TOTAL